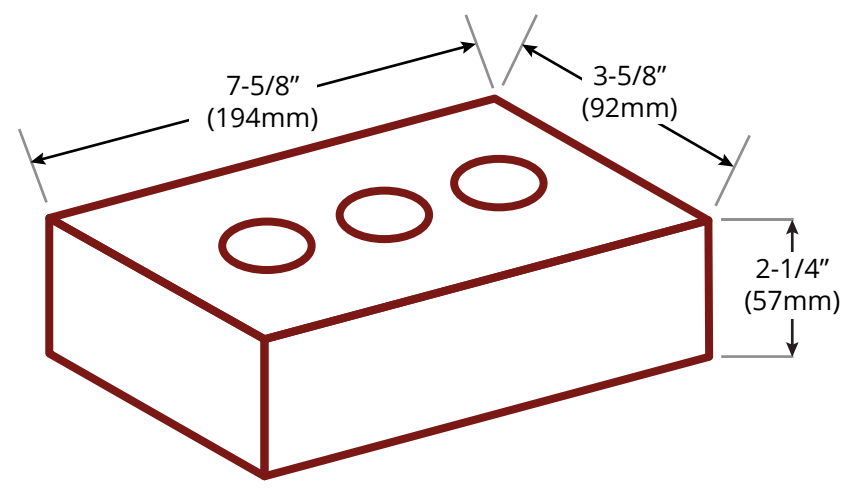
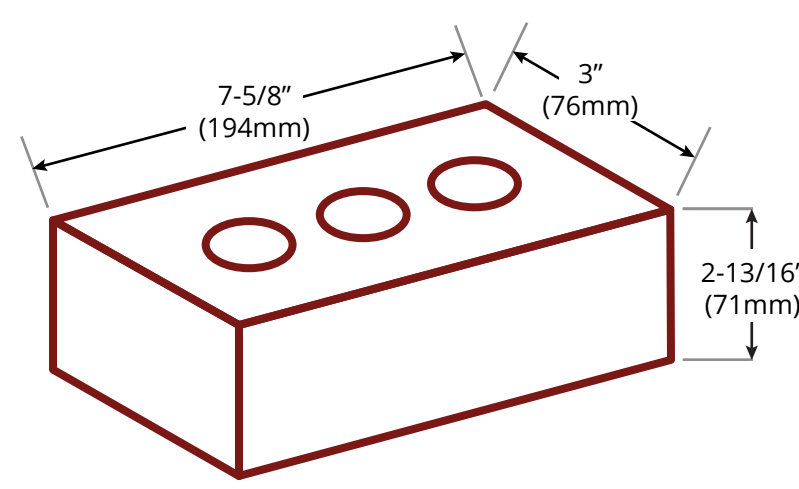


MODULAR



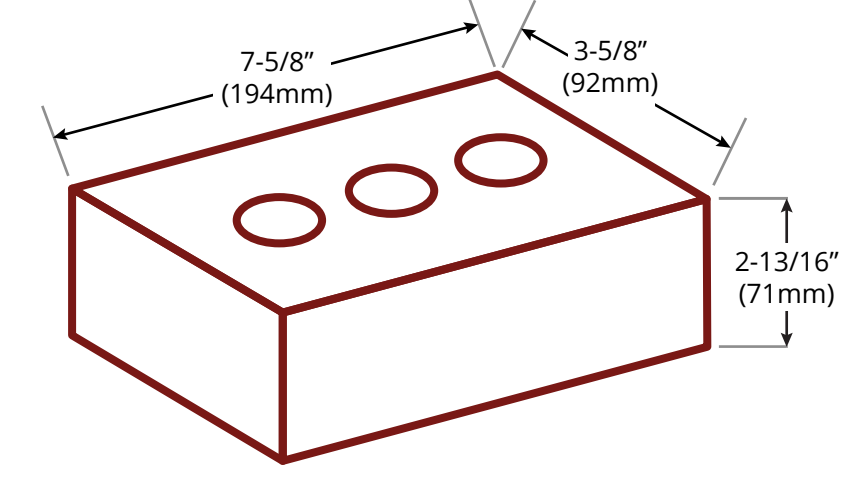
AV. WEIGHT	3.6 lbs / 1.6 kg
SIZE D X H X L*	3-5/8 x 2-1/4 x 7-5/8
BRICK PER SQ FT- 3/8 JOINT	6.86
SIZE IN MM**	92 x 57 x 194

SCOTTY



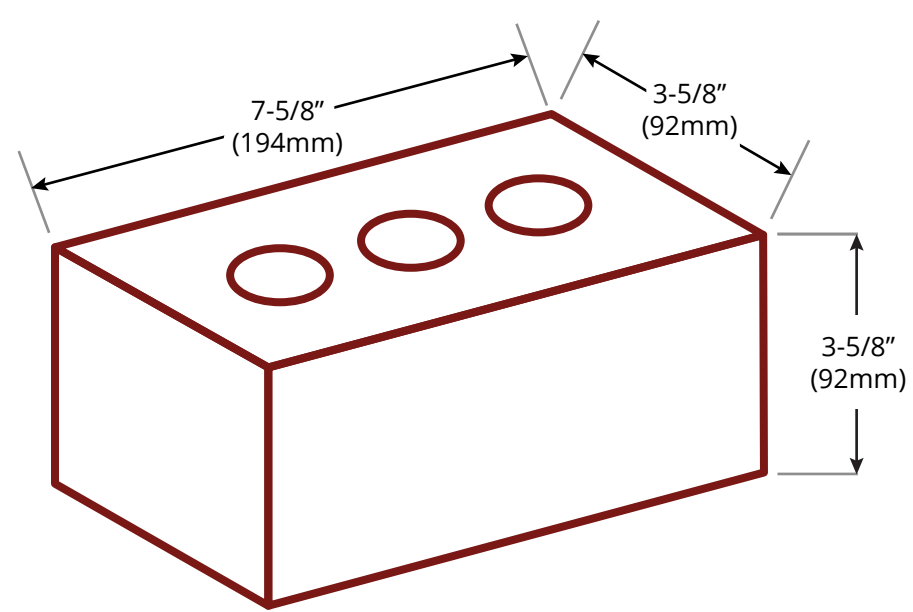
AV. WEIGHT	3.6 lbs / 1.6 kg
SIZE D X H X L*	3 x 2-13/16 x 7-5/8
BRICK PER SQ FT- 3/8 JOINT	5.65
SIZE IN MM**	76 x 71 x 194

ENGINEER MODULAR



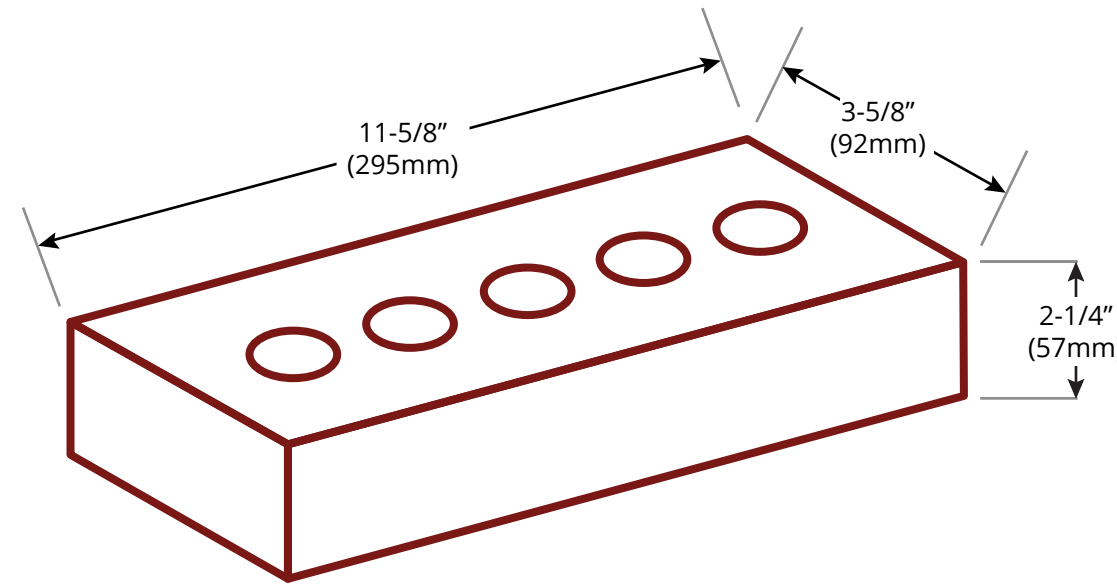
AV. WEIGHT	4.3 lbs / 2.0 kg
SIZE D X H X L*	3-5/8 x 2-13/16 x 7-5/8
BRICK PER SQ FT- 3/8 JOINT	5.65
SIZE IN MM**	92 x 71 x 194

CLOSURE



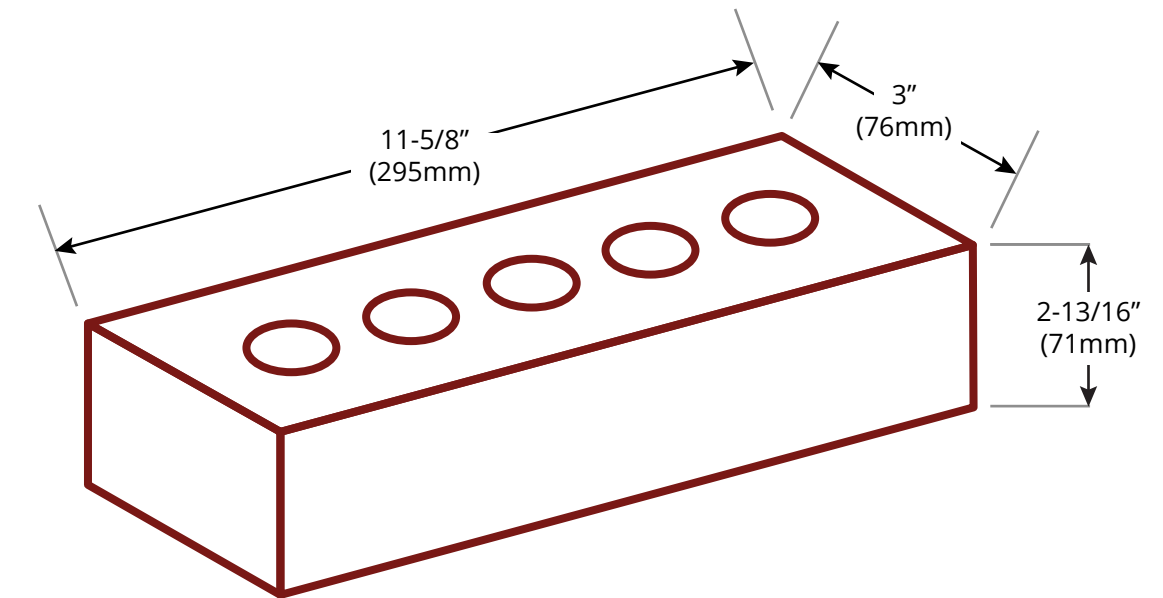
AV. WEIGHT	5.5 lbs / 2.5 kg
SIZE D X H X L*	3-5/8 x 3-5/8 x 7-5/8
BRICK PER SQ FT- 3/8 JOINT	4.5
SIZE IN MM**	92 x 92 x 194

NORMAN



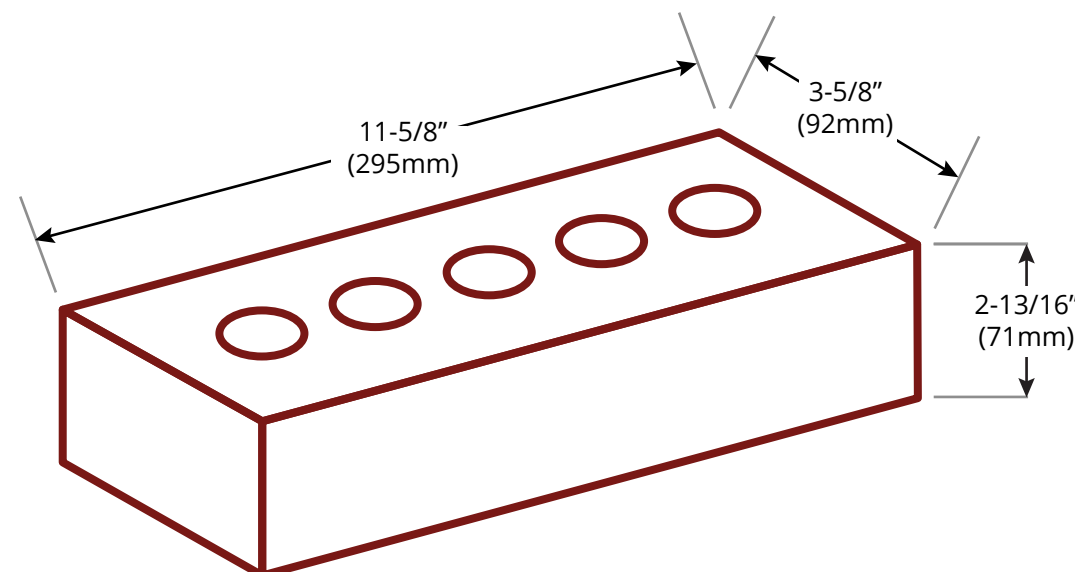
AV. WEIGHT	5.3 lbs / 2.4 kg
SIZE D X H X L*	3-5/8 x 2-1/4 x 11-5/8
BRICK PER SQ FT- 3/8 JOINT	4.5
SIZE IN MM**	92 x 57 x 295

SUPER SCOTTY



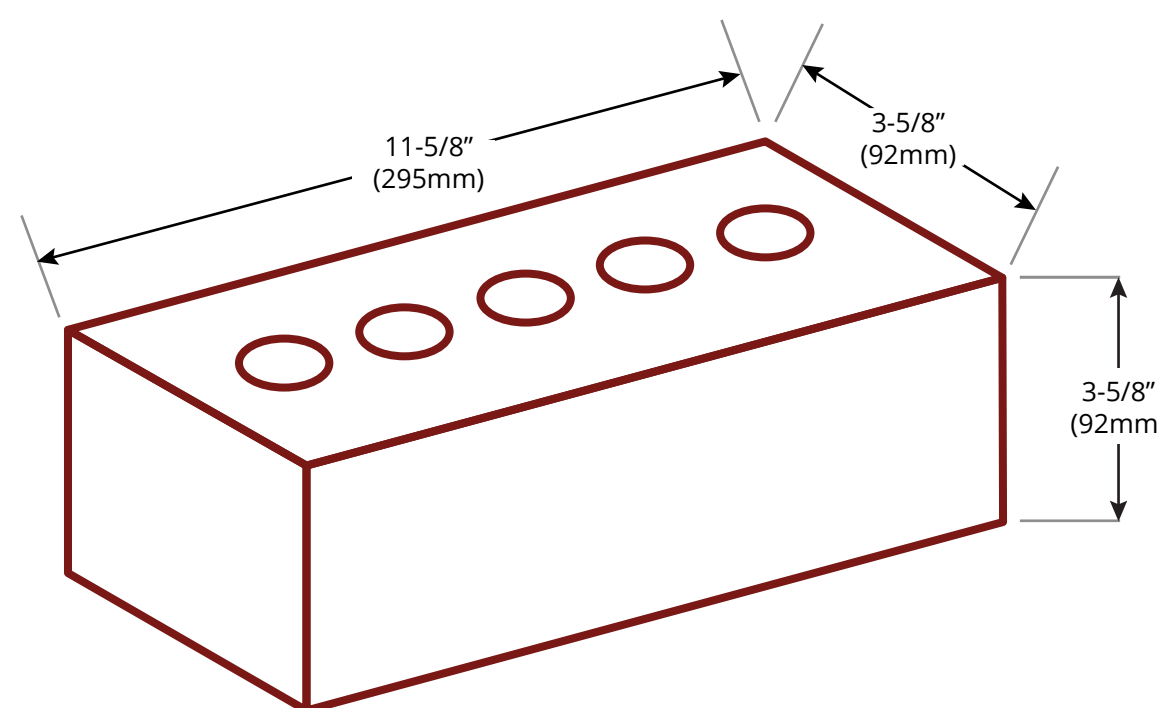
AV. WEIGHT	5.6 lbs / 2.5 kg
SIZE D X H X L*	3 x 2-13/16 x 11-5/8
BRICK PER SQ FT- 3/8 JOINT	3.77
SIZE IN MM**	76 x 71 x 295

NORWEGIAN



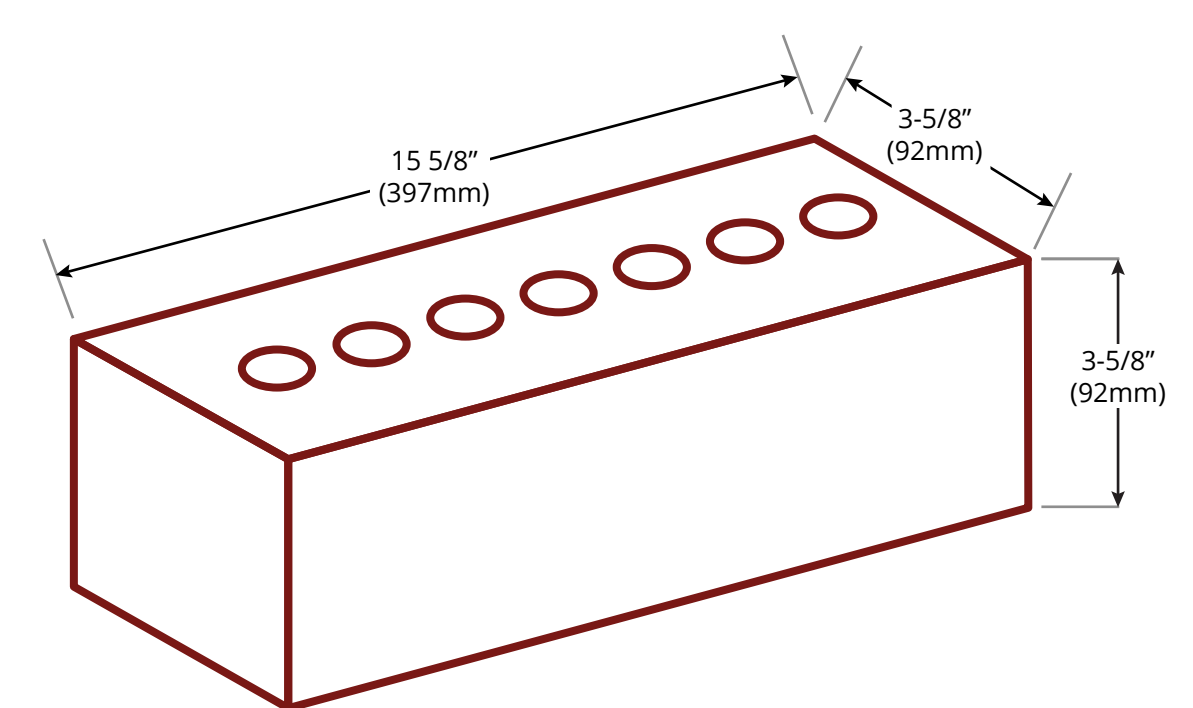
AV. WEIGHT	6.6 lbs / 3.0 kg
SIZE D X H X L*	3-5/8 x 2-13/16 x 11-5/8
BRICK PER SQ FT- 3/8 JOINT	3.77
SIZE IN MM**	92 x 71 x 295

UTILITY



AV. WEIGHT	8.3 lbs / 3.8 kg
SIZE D X H X L*	3-5/8 x 3-5/8 x 11-5/8
BRICK PER SQ FT- 3/8 JOINT	3.00
SIZE IN MM**	92 x 92 x 295

MERIDIAN



AV. WEIGHT	10.9 lbs / 5 kg
SIZE D X H X L*	3-5/8 x 3-5/8 x 15-5/8
BRICK PER SQ FT- 3/8 JOINT	2.25
SIZE IN MM**	92 x 92 x 397

*Standard U.S. Dimensions in inches. Manufactured size is within current ASTM FBS tolerances of these dimensions.

** Standard Canadian dimensions in mm. Manufactured size is within current CSA Type S tolerances of these dimensions.